

TRANSCEND PRO MOUNT

MOTORIZED DROP-DOWN MOUNT

For Up to 75" TV



Downward Travel	27"
TV Maximum Screen Size	75"
Maximum Weight	125 lbs
Swivels	Up to 40° left and right

The Transcend Pro motorized over-mantel mount was built to optimize TV positioning. This precision-engineered mechanism is coupled with superior linear actuation technology to suspend up to 75" TVs at the optimal viewing height with the press of a button. The Transcend Pro's slim profile allows the screen to rest only 1.5 inches off the mounting wall, while 40 degree swivel makes it even more versatile.

- Industry-Leading Reliability
- Easy to Install
- Ships Fully Assembled



All Nexus products are shipped in custom-made protective packaging, and they include everything you need to mount and operate them. The products are designed for easy assembly, and simple instructions with photos are included.

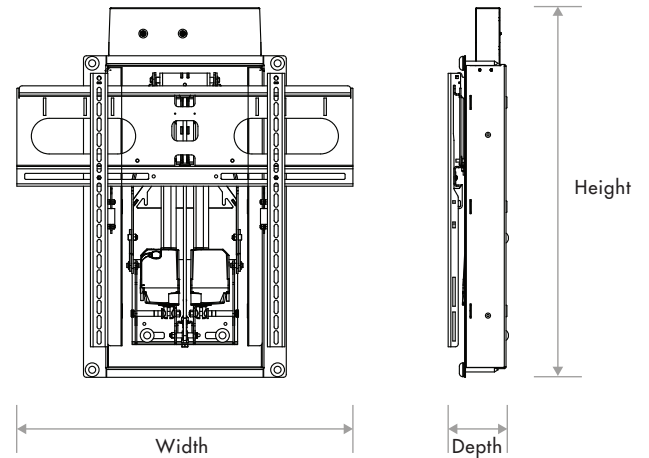
TRANSCEND PRO MOUNT

TECHNICAL SPECIFICATIONS

- 125 lbs weight capacity
- TV maximum screen size: 75"
- 27" downward travel
- Depth from wall: 1.5"
- +/- 1 degree of tilt in the top position
- +1/-2 degree of tilt in the bottom position

WHAT'S PROVIDED

- Ready to install, assembled Transcend Pro mount
- Swivel Screen Back Plate
- Pair of Vertical Mounting Bars
- TV Mounting Hardware
- Installation Hardware
- Recess Box
- Cable Management Materials



Height: 32"
Width: 29"
Depth: 5.2" total mechanism; 1.5" from wall

ACCESSORIES

- Soundbar Mount

INSTALLATION TIPS

Tip #1 Plan where to mount the system prior to making any cuts. Use Nexus' Shelf Clearance Table to properly plan your installation.

Tip #2 See Nexus' instruction manual for all adjustability provided with this mount.

Tip #3 Attach the Vertical Mounting Bars as high as possible on the TV in order to maximize your downward travel.

Contact us for more helpful hints!

